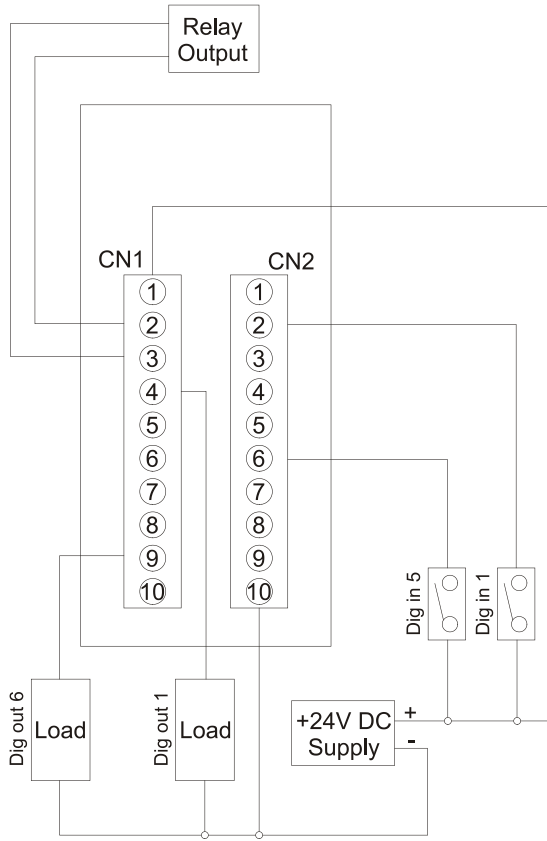


Wiring examples (standard digital inputs and outputs)



Note on wiring

The cables must be no longer than 30m.

5

MANPLIO06-001 V.1.02

6

MANPLIO06-001 V.1.02

The products have been designed for use on Exor products with expansion slot for plugin module for use in an industrial environment in compliance with the 2014/30/EU directive

The products have been designed in compliance with:

- | | |
|--------------|------------------|
| EN 61000-6-4 | EN 55011 Class A |
| EN 61000-6-2 | EN 61000-4-2 |
| | EN 61000-4-3 |
| | EN 61000-4-4 |
| | EN 61000-4-5 |
| | EN 61000-4-6 |
| | EN 61000-4-8 |
| | EN 60945 |

The installation of these devices into the residential, commercial and light-industrial environments is allowed only in the case that special measures are taken in order to get the conformity to IEC-61000-6.3.

7

MANPLIO06-001 V.1.02

8


 This device cannot be disposed of as a domestic waste but according to WEEE European Directive 2012/19/EU
 