

eCC105U Technical Data



CPU Support

- Onboard Intel® Celeron® processor J1900 quad core, 2.42 GHz

Main Memory

- 1x DDR3L SO-DIMM socket, support DDR3L 1066/1333 8GB RAM max., un-buffered and non-ECC

Display Option

- Dual independent display
- HDMI and DVI-I
- HDMI and VGA (via DVI-I to VGA converter)

I/O Interface-Front

- ATX power on/off switch
- 1x Power status/1 x HDD access/1 x battery low/
- 1x programing LEDs
- 2x Intel® I210AT GbE LAN ports; support WoL, teaming and PXE
- 1x HDMI
- 1x USB 3.0 (900mA per each)
- 2x USB 2.0 (500mA per each)
- 1x DB9 for COM1 support RS232/422/485 with auto flow control
- Jumper-free setting on RS232/422/485
- 1x 2-pin DC input, support +9 to 30VDC input

I/O Interface - Rear

- 1 x Remote power on/off switch
- DVI-I display output
- 1x DB9 for COM2, support RS232/422/485 with auto flow control
- Jumper-free setting on RS232/422/485
- 2x DB9 for COM3 & COM4 support RS232 only
- 1x Mic-in & 1x Line-out
- 2x Antenna holes for optional Wi-Fi/3.5G antenna
- 1x Optional I/F for optional mini-PCIe Wi-Fi/3.5G

I/O Interface - Internal

- 4x G Pland 4 GPO (5V, TTL type)

Storage Device

- 1x M.2, support B & B+M key module (2242)

- 1x 2.5" HDD (SATA 2.0)

Expansion Slot

- 1 x mini-PCIe socket for optional Wi-Fi/3.5G

Power Requirement

- Power input: +9VDC to +30VDC
- 1x Optional 24V, 60W power adapter

Support OS

- Windows7, 32-bit/64-bit
- Windows Embedded Standard 7, 32-bit/64-bit
- Windows Embedded Compact 7, 32-bit
- Windows 10 IoT Enterprise, 64-bit
- Linux Kernel version 3.8.0

Dimensions

- 185mm (W) x 131mm (D) x 54mm (H) without wall-mount bracket

Construction

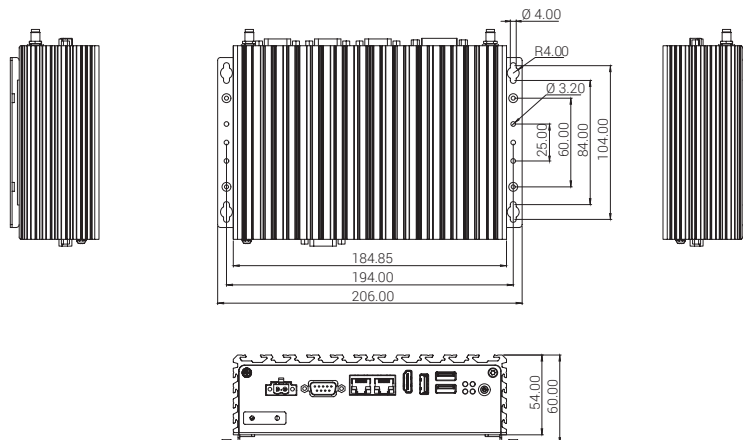
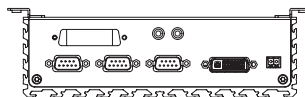
Aluminum and metal chassis with fanless design

Environment

- Operating temperature Ambient with air flow: -5°C to 55°C (according to IEC60068-2-1, IEC60068-2-2, IEC60068-2-14)
- Storage temperature: -30°C to 85°C
- Relative humidity: 10% to 95% (non-condensing)
- Shock protection
- HDD: 20G, halfsine, 11ms, IEC 60068-2-27
- M.2: 50G, halfsine, 11ms, IEC 60068-2-27
- Vibration protection w/HDD condition
- Random: 0.5 Grms @ 5~500 Hz, IEC 60068-2-64
- Sinusoidal: 0.5 Grms @ 5~500 Hz, IEC 60068-2-6
- Vibration protection w/M.2 & SSD condition
- Random: 2Grms @ 5~500 Hz, IEC 60068-2-64
- Sinusoidal: 2Grms @ 5~500 Hz, IEC 60068-2-6

Certifications

- CE
- FCC Class A



Ordering Information

Model	Part Number	Description
eCC105U	+70ECC105U	Intel® Celeron® Processor J1900 Quad Core Fanless System