

# eCC3800E - Technical Data



## CPU Support

- Support 6th generation Intel® Core™ i7/i5/i3 LGA socket type embedded processor
  - Core™ i7-6700TE, Quad Core, 2.4GHz, 8M Cache
  - Core™ i5-6500TE, Quad Core, 2.3GHz, 6M Cache
  - Core™ i3-6100TE, Dual Core, 2.7GHz, 4M Cache
  - Intel® Pentium® Processor G4400TE 2.4GHz, 3M Cache
  - Intel® Celeron® Processor G3900TE 2.3GHz, 2M Cache
- Turbo-boost disabled by default

## Main Memory

- 2 x DDR4 SO-DIMM socket, support up to 16GB with unbuffered and non-ECC

## Display Option

- Three independent display
  - HDMI + DP+ DVI-D
- Dual independent display
  - HDMI + DP
  - HDMI + DVI-D
  - DP + DVI-D

## Front I/O Interface Status LEDs

- 3 x LAN active LEDs
- 2 x GPO status/COM1/2 TX/RX LEDs
- 1 x HDD access LEDs

## Front I/O Interface

- 1 x ATX power on/off switch
- 1 x DP
- 1 x Line-out and 1 x Mic-in
- 2 x Antenna holes
- 1 x External M.2 socket
- 1 x SIM card holder

## Rear I/O Interface

- 2 x DB9 for COM1 & COM2
  - COM1: RS232/422/485 auto flow control
  - COM2: RS232/422/485 auto flow control
- 4 x USB 3.0 ports (900mA per each)
- 2 x USB 2.0 ports (500mA per each)
- 1 x DVI-D port
- 1 x HDMI port
- 3 x Intel® I210IT GbE LAN ports; support WoL, teaming and PXE
- 1 x 2-pin remote power on/off switch
- +9V to 30V DC input

## Storage Device

- 1 x External M.2 SATA 3.0 (M-key 2242) socket
- 1 x mSATA (SATA 3.0)

- 1 x 2.5" HDD (SATA 3.0)

## Expansion Slot

- One PCIe x4 expansion slot
  - Add-on card length: 169mm max.
  - Power consumption: 10W/slot max.
- 2 x Internal mini-PCIe socket support optional Wi-Fi/3.5G/mSATA/Fieldbus

## Power Requirements

- AT/ATX power mode (default: ATX power mode)
- Power input: +9 to +30V DC
- Power adapter: optional AC to DC power adapter (24VDC, 120W)

## Dimensions

- 215 mm(W) x 272mm (D) x 93mm (H) without wall mount bracket (8.5" x 10.7" x 3.7")

## Construction

- Aluminum and metal chassis with fanless design

## Environment

- Operating temperature:
  - Ambient with air flow: -5°C to 55° (according to IEC60068-2-1, IEC60068-2-2, IEC60068-2-14)
  - Storage temperature: -20°C to 85°C
- Relative humidity: 10% to 93% (non-condensing)
- Shock protection:
  - HDD: 20G, half sine, 11ms, IEC60068-27
  - M.2: 50G, half sine, 11ms, IEC60068-27
- Vibration protection with HDD condition:
  - Random: 0.5Grms @ 5~500 Hz, IEC60068-2-64
  - Sinusoidal: 0.5Grms @ 5~500 Hz, IEC60068-2-6

## Certifications

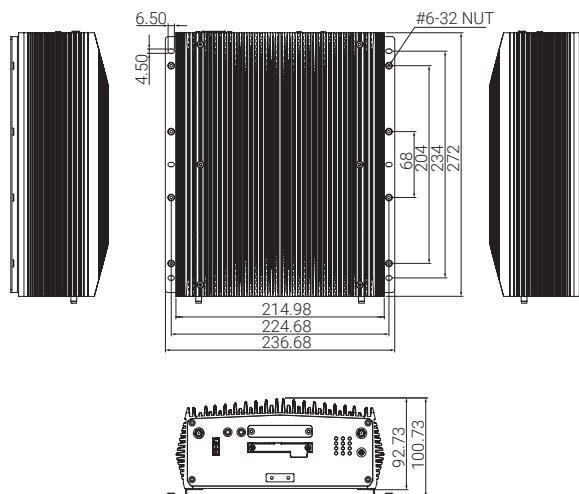
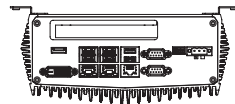
- CE approval- EN61000-6-2- EN61000-6-4
- FCC Class A
- UL

## OS Support Lists

- Windows 7 PRO, 32bit/64bit
- Windows Embedded Standard 7, 32bit/64bit
- Windows 10 IoT, 32bit/64bit

## Weight Information

- Gross weight: 5.9 kg
- Net weight: 4.5 kg



## Ordering Information

Model	Part Number	Description
eCC3800E	+70ECC3800E	6th Generation Intel® Core™ i7/i5/i3 LGA Fanless System with Expansion