

# eTOP507MFB Tech-Note

## Food & Beverage 7" TFT ARM Cortex-A8 - 1 GHz

- Extensive Guarantee despite no Protective Casing
- Ease of Cleaning
- Real World IP69 Rating
- Glass Strength with Polyester Coating
- High Pressure 80°C Water Resistant
- Perfect Stainless Steel Bezel Design
- Acid Chemical Resistant
- Food Compliant Gasket
- Front panel and gasket guidelines:
  1. DIN EN1672-2
  2. EHEDG / FDA 21 CFR 177.2006



## Highlights

Where tough legislation requires that handling, preparation, processing and packaging of food is done to be extremely hygienic, the outstanding 7" Food and Beverage HMI from Exor is the **best choice for manufacturer and final consumer**.

No other company offers such specialized solutions to the everyday problems faced in the Food and beverage industry and in **particular the meat processing sector**.

The food & beverage and pharmaceutical sectors are very different environments from the industrial world. Although the set up of the production facilities might seem similar, **there are a series of legislative requirements and guidelines that are dramatically more onerous**.

EXOR has adapted its highly successful eTOP507 to meet these challenges. EXOR alters the panels in many areas to comply with the CEI EN 60529 guidelines with an **incredible level of attention to eliminating the accumulation of food, grease, and product powder particles**.

The rugged stainless-steel fronts are **highly polished to allow particles to flow away** from the surface. The frame has the optimal **angle of contact to the machine surface** to both enable cleaning liquids to wash away and also **not to allow bacteria or microbes to remain**.

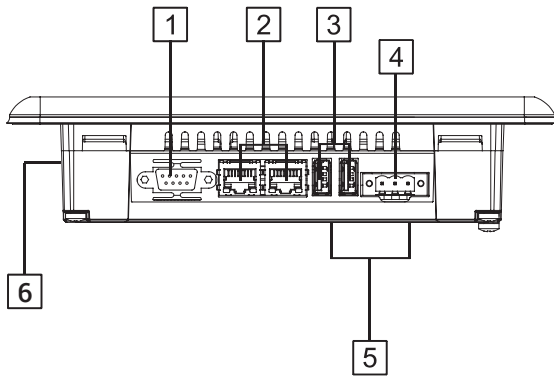
All these measures and more mean that EXOR can offer this product at a high protection **front panel rating of IP69**: resistance to highly aggressive corrosive cleaning substances and resistance to frequent washing at high pressure and high temperature.

No longer will you need to contain the panel within a costly cabinet as is so often seen. Industry sectors that might require this series are the **food, pharmaceutical and chemical industries or anywhere, where the highest level of attention to hygiene is a requirement for reputational risk**.

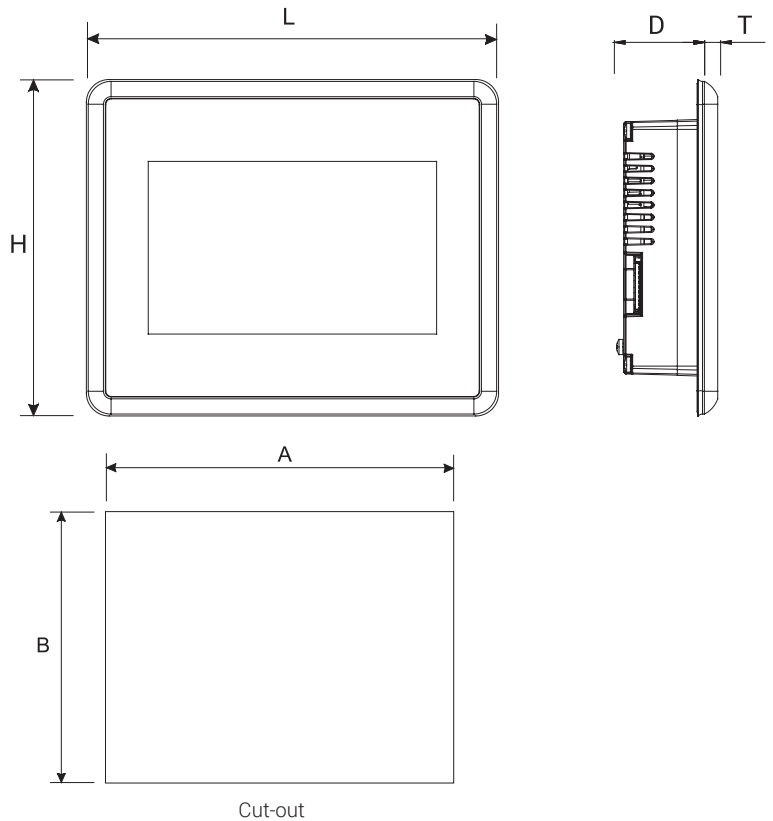
# eTOP507MFB - Technical Data



System Resources	
Display - Colors	7" TFT 16:9 LED - 64K
Resolution	800x480, WVGA
Brightness	400 Cd/m <sup>2</sup> typ.
Dimming	to 0%
Touchscreen	True Glass Projected Capacitive
CPU	ARM Cortex-A8 - 1 GHz
Operating System	Microsoft Windows CE 6.0
Flash	256 MB
RAM	256 MB
Real Time Clock, RTC Back-up, Buzzer	Yes
Interface	
Ethernet port	2 (port 0 - 10/100, port 1 - 10/100) with integrated Switch
USB port	2 (Host V2.0, max. 500 mA)
Serial port	1 (RS-232, RS-485, RS-422, software configurable)
SD card	Yes
Expansion	2 slot for plug in modules
Ratings	
Power supply	24 Vdc (10 to 32 Vdc)
Current Consumption	0.9 A at 24 Vdc (max.)
Input Protection	Electronic
Battery	Rechargeable Lithium battery, not user-replaceable
Environment Conditions	
Operating Temp	-20° to +60 °C
Storage Temp	-40 to +85 °C
Operating / Storage Humidity	5-85% RH, non condensing
Protection Class	IP69 (front), IP20 (rear) Type: 4X
Dimensions and Weights	
Faceplate LxH	217x177 mm (8.54x6.96")
Cutout AxB	176x136 mm (6.93x5.35")
Depth D+T	45+10 mm (1.77+0.4")
Weight	2.5 Kg
Approvals	
CE	Emission EN 61000-6-4 Immunity EN 61000-6-2 for installation in industrial environments
UL	cULus: UL508
RCM	Yes



- 1 Serial Port
- 2 2x Ethernet Port
- 3 2x USB Port
- 4 Power Supply
- 5 2x Expansion slots for Plug-in modules
- 6 SD Card Slot for removable card



## Ordering Information

Model	Part Number	Description
eTOP507MFB	+ETOP507MU1F1	7" widescreen TFT color projected capacitive touchscreen. Stainless steel bezel. White front panel.
eTOP507MFB	+ETOP507MU4F1	7" widescreen TFT color projected capacitive touchscreen. Stainless steel bezel. Blue front panel.