

eTOP-MON1500T



Main Features

- IP65 compliant plastic front bezel with flush panel by 5-wire touch screen
- Dual display input interface: analog VGA and DVI-D
- Shares identical appearance with eTOP-EPC series
- Dual touch screen interface: RS232 and USB
- Ultra slim in depth
- OSD Multilanguage function

Product Overview

15" 4:3 LCD display eTOP-MON1500T is based on a 5-wire resistive touch screen. It has 400 nits brightness and can support resolutions up to 1024x768. eTOP-MON1500T is ideal for space-critical environments where systems and displays are kept apart. In addition, eTOP-MON1500T adopts a flush panel design and has IP65 front panel. eTOP-MON1500T provides prevailing video interfaces: VGA and DVI, supporting both digital and analog signals; touch screen can be connected with RS-232 or USB ports. Moreover, eTOP-MON1500T supports 12~24V power input and offers panel mount and VESA mount, allowing users to choose the mounting method that meets their situation. eTOP-MON1500T is the best solution for EXOR eCC fanless computer and eTOP-EPC panel PC when a second display is required.

Specifications

Panel

- LED Size: 15", 4:3
- Resolution: XGA 1024x768
- Luminance: 400cd/m²
- Contrast ratio: 700
- LCD color: 16.2M
- Viewing Angle: 60 (U), 80(D), 80(L), 80(R)
- Backlight: LED

Touch Screen

- 5-wire resistive (flush panel type)
- Light transmission: 80%
- Interface: USB and RS232

Rear I/O

- Touch screen interface port: RS-232 (1x DB9) / USB Type A
- Video port: VGA (1x DB15) / DVI-D (1x DVI-I connector)
- DC power input connector: 3-Pin Phoenix terminal Blocks

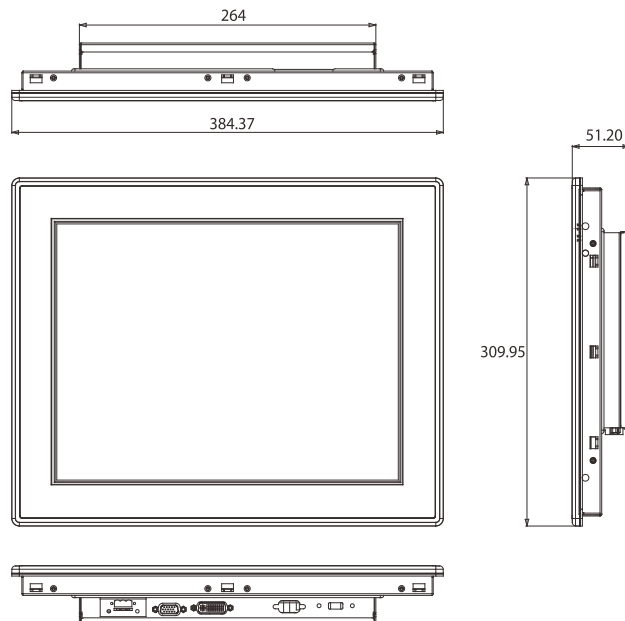
OSD Function

- OSD keypad
- Multilanguage OSD

Mechanical & Environment

- Color: pantone black
- IP protection: IP65 front
- Mounting: panel/ wall/ stand/ VESA 100mm x 100mm
- Power input: 12V~24VDC
- Power adapter: optional AC to DC power adaptor (+12V, 60W)
- Vibration:
 - IEC 68 2-64
 - 2Grms @ sine, 5~500Hz, 1hr/axis (Operating)
 - 2.2Grms @ random condition, 5~500Hz, 0.5hr/axis (Non-operating)
- Shock:
 - IEC 68 2-27
 - 20G@wall mount, half sine, 11ms
 - Operating temperature: -5°C to 60°C
 - Storage temperature: -20°C to 75°C
- Operating humidity: 10%~90% relative humidity, non-condensing
- Dimension: 384.37 x 310 x 51.2mm
- Cutout: 371 x 297mm
- Weight: 3.8Kg

Dimension Drawing



Certifications

- ♦ CE approval

Ordering Information

- ♦ **eTOP-MON1500T (P/N: 73MON1500T)**

15" IP65 industrial 4:3 LED Backlight flush touch monitor with VGA and DVI-D input, 12~24VDC input, RS232 and USB touch screen

Copyright 2014 Exor International S.p.A. – Verona, Italy

Subject to change without notice

The information contained in this document is provided for informational purposes only. While efforts were made to verify the accuracy of the information contained in this documentation, it is provided "as is" without warranty of any kind.

www.exorint.net

EXOR