

## CA96-D9

Date: June 21, 2010  
Ref: CA096-D9-2  
Revision: 02  
Author: TS

|                              |   |
|------------------------------|---|
| <b>Cable code</b>            | CA96-D9   |
| <b>Description</b>           | eTOP300 serie PLC Port to Simatic S7-200  |
| <b>Type of Communication</b> | RS-485  |
| <b>Panel Connector</b>       | D-sub type 9P   |
| <b>PLC Connector</b>         | D-sub type 9P   |
| <b>Notes</b>                 | <b>Warning: panel and plc uses the same connector type, make sure to connect the cable on the right side as a wrong connection can causate damages.</b> |

table 1. Cable description

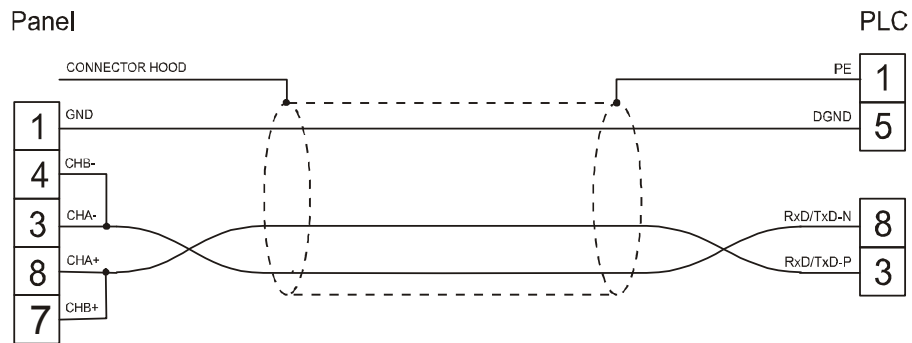


figure 1. Cable diagram